

Safety Valves DN32



NEW

DUCO

Safety Valves DN32 1¼ x 1½" K

Duco safety valves to protect closed heated and chilled water systems against excessive pressure.

Application

The safety valve has to be used in a closed heating or cooling system (**glycol max. 50%**).

Only use the Duco valve in a dry and frostfree location.

Min / max. system temp.: -10°C / +120°C

Safety

Check whether the max. capacity and the opening pressure that are indicated on the valve match the values of the system.

All Duco safety valves meet the requirements of the Pressure Equipment Directive (PED) "**Directive 2014/68/EU Module B/ Module D**".

The quality system also complies with the **NEN-EN-ISO 9001**

NORM: **NEN-EN-ISO 4126-1**

Control knob - ABS (black)

Adjustment screw - PA 6 - 15% GF

Spring seat - PBT 420 1001

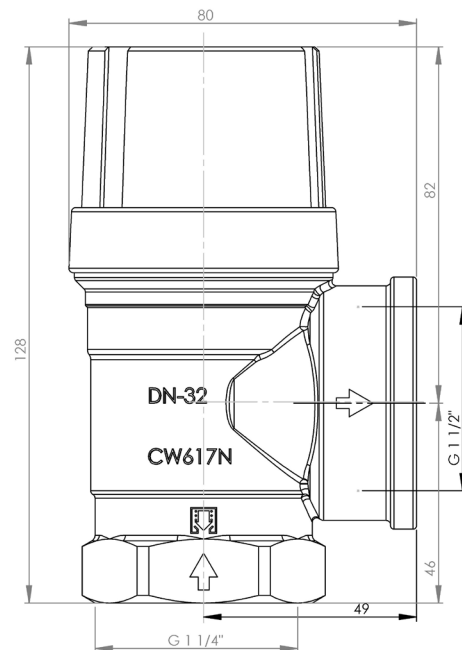
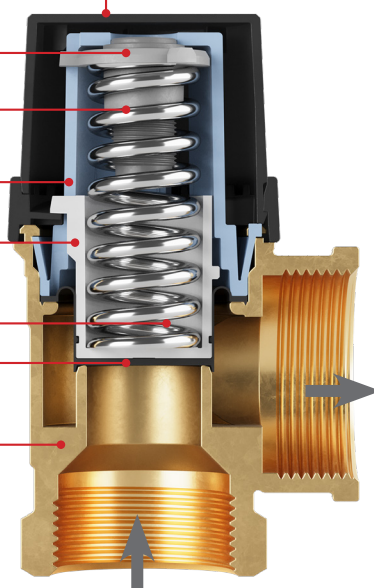
Spring cover - PA 6,6 - 30%GF

Valve disk - PA 6 - 30%GF

Preset spring - Stainless steel

Membrane - EPDM Shore Peroxide cured

Valve body - Brass (CW617N) Pb<2,2%



Safety Valves DN32

Article number	Set pressure bar	Heating capacity kW
1147-0-00-01	0,5	290
1147-0-01-01	1	380
1147-0-02-01	2	560
1147-0-25-01	2,5	650
1147-0-03-01	3	730
1147-0-04-01	4	900
1147-0-05-01	5	1050
1147-0-06-01	6	1200
1147-0-07-01	7	1350
1147-0-08-01	8	1500
1147-0-09-01	9	1650
1147-0-10-01	10	1750

PUCO

PenTec bv
Edisonweg 7
3442 AC Woerden
The Netherlands

Tel. +31 (0)182 503 100
E-mail info@pentecbv.nl
Internet www.duco.nl
www.pentecbv.nl