

Safety Valves DN25



NEW

PUCO

Safety Valves 1 x 1¼" K

Duco safety valves to protect closed heated and chilled water systems against excessive pressure.

Application

The safety valve has to be used in a closed heating or cooling system (**glycol max. 50%**).

Only use the Duco valve in a dry and frostfree location.

Min / max. system temp.: -10°C / +120°C

Safety

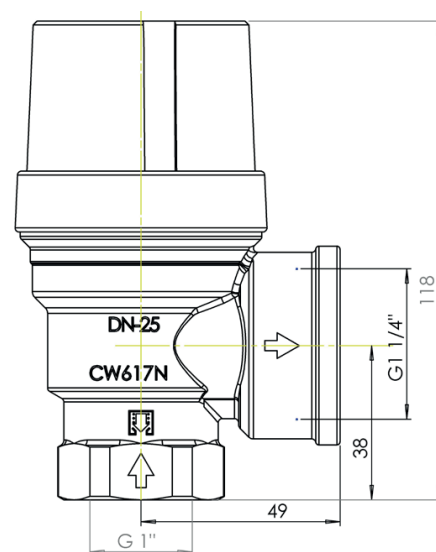
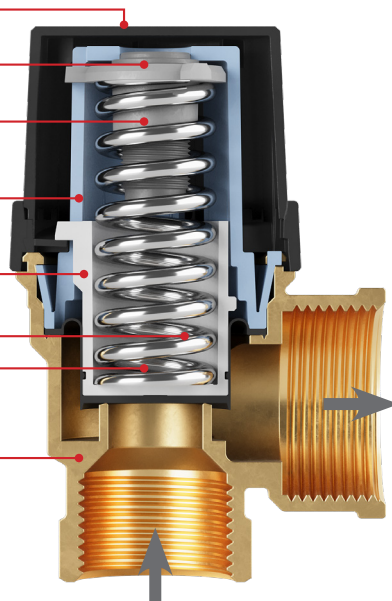
Check whether the max. capacity and the opening pressure that are indicated on the valve match the values of the system.

All Duco safety valves meet the requirements of the Pressure Equipment Directive (PED) "**Directive 2014/68/EU Module B/ Module D**".

The quality system also complies with the **NEN-EN-ISO 9001**

NORM: **NEN-EN-ISO 4126-1**

Control knob	- ABS (black)
Adjustment screw	- PA 6 - 15% GF
Spring seat	- PBT 420 1001
Spring cover	- PA 6,6 - 30%GF
Valve disk	- PA 6 - 30%GF
Preset spring	- Stainless steel
Membrane	- EPDM Shore Peroxide cured
Valve body	- Brass (CW617N) Pb<2,2%



Safety Valves DN25

Article number	Set pressure bar	Heating capacity kW
1142-0-00-01	0,5	150
1142-0-01-01	1	200
1142-0-02-01	2	275
1142-0-25-01	2,5	325
1142-0-03-01	3	350
1142-0-04-01	4	450
1142-0-05-01	5	525
1142-0-06-01	6	600
1142-0-07-01	7	675
1142-0-08-01	8	750
1142-0-09-01	9	825
1142-0-10-01	10	900



PUCO

PenTec bv
Edisonweg 7
3442 AC Woerden
The Netherlands

Tel. +31 (0)182 503 100
E-mail info@pentecbv.nl
Internet www.duco.nl
www.pentecbv.nl