

Boiler Safety Valves DN20



PUCO

Boiler Safety Valves $\frac{3}{4}$ x 1" KB

DUCO boiler valves to protect closed potable heated water systems against excessive pressure.

Application

The boiler valve has to be used in a closed drinking water system. Only use the valve in a dry and frostfree location.

Min/Max. system temp. $0^{\circ}\text{C} / +95^{\circ}\text{C}$

Safety

Check whether the max. capacity and the opening pressure that are indicated on the valve match the values of the system.

All Duco safety valves meet the requirements of the Pressure Equipment Directive (PED) "**Directive 2014/68/EU Module B/Module D**". The quality system also complies with the NEN-EN-ISO 9001

NORM: **NEN-EN 1491**

Control knob - ABS (blue)

Adjustment screw - PA 6 - 15% GF

Spring seat - PBT 420 1001

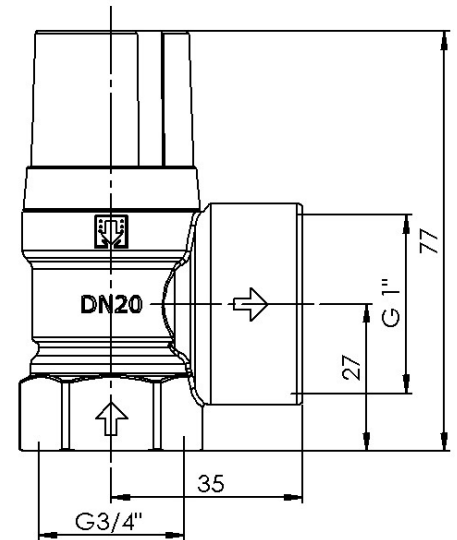
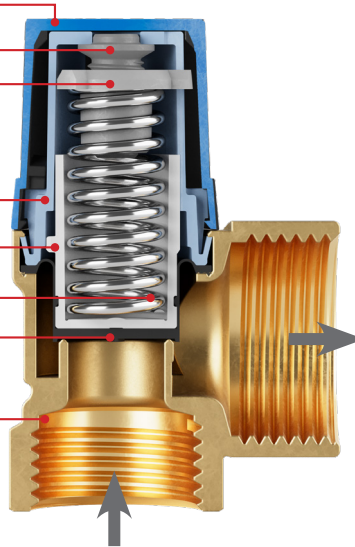
Spring cover - PA 6,6 - 30%GF

Valve disk - PA 6 - 30%GF

Preset spring - Spring steel (galvanised)

Membrane - EPDM Shore Peroxide cured

Valve body - Brass (CW617N) Pb<2,2%



Boiler Safety Valves DN20

Article number	Set pressure bar	Heating capacity kW
1135-0-56-11	6	150
1135-0-57-11	7	150
1135-0-58-11	8	150
1135-0-59-11	9	150
1135-0-60-11	10	150

PUCO

PenTec bv
Edisonweg 7
3442 AC Woerden
The Netherlands

Tel. +31 (0)182 503 100
E-mail info@pentecbv.nl
Internet www.duco.nl
www.pentecbv.nl