

Safety Valves DN25

RUNNING OUT
MARCH 2025



DUCO

Safety Valves 1 x 1¼" K

Duco safety valves to protect closed heated and chilled water systems against excessive pressure.

Application

The safety valve has to be used in a closed heating or cooling system (**glycol max. 50%**).

Only use the Duco valve in a dry and frostfree location.

Min / max. system temp.: **-10°C / +120°C**

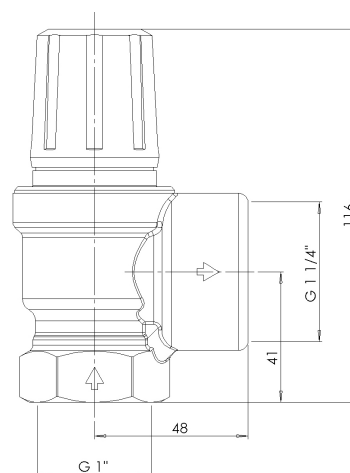
Safety

Check whether the max. capacity and the opening pressure that are indicated on the valve match the values of the system.

All Duco safety valves meet the requirements of the Pressure Equipment Directive (PED) "**Directive 2014/68/EU Module B/ Module D**".

The quality system also complies with the **NEN-EN-ISO 9001**

NORM: **NEN-EN-ISO 4126-1**



Safety Valves DN25

Article number	Set pressure bar	Heating capacity kW
1142-0-05-01	0,5	141
1140-0-10-01	1	188
1140-0-20-01	2	273
1140-0-25-01	2,5	315
1140-0-30-01	3	354
1140-0-40-01	4	436
1140-0-50-01	5	515
1140-0-60-01	6	591
1140-0-70-01	7	667
1140-0-80-01	8	743
1140-0-90-01	9	818
1140-0-99-01	10	889



PUCO

PenTec bv
Edisonweg 7
3442 AC Woerden
The Netherlands

Tel. +31 (0)182 503 100
E-mail info@pentecbv.nl
Internet www.duco.nl
www.pentecbv.nl