

Safety Valves DN20



PUCO

Safety Valves DN20 3/4 x 1" K

Duco safety valves to protect closed heated and chilled water systems against excessive pressure.

Application

The safety valve has to be used in a closed heating or cooling system (**glycol max. 50%**).

Only use the Duco valve in a dry and frostfree location

Min / max. system temp.: -10°C / +120°C

Safety

Check whether the max. capacity and the opening pressure that are indicated on the valve match the values of the system.

All Duco safety valves meet the requirements of the Pressure Equipment Directive (PED)

"Directive 2014/68/EU Module B/Module D"

The quality system also complies with the **NEN-EN-ISO 9001**

NORM: **NEN-EN-ISO 4126-1**

Control knob - ABS (black)

Adjustment screw - PA 6 - 15% GF

Spring seat - PBT 420 1001

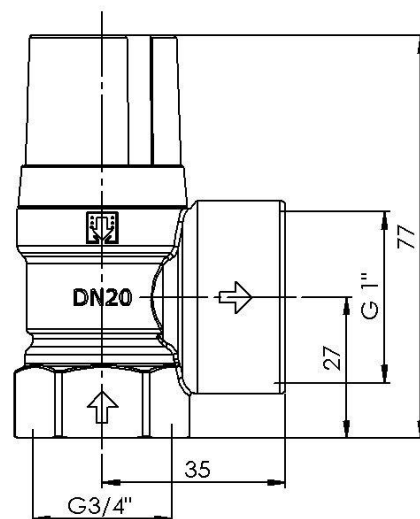
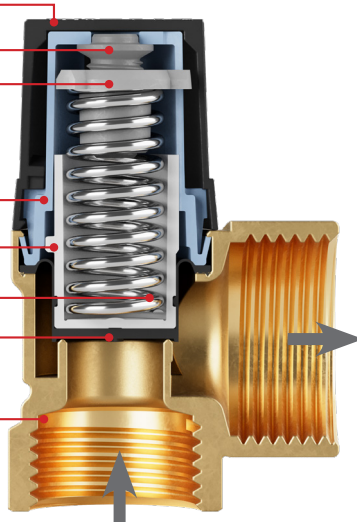
Spring cover - PA 6,6 - 30%GF

Valve disk - PA 6 - 30%GF

Preset spring - Spring steel (galvanised)

Membrane - EPDM Shore Peroxide cured

Valve body - Brass (CW617N) Pb<2,2%



Safety Valves DN20

Article number	Set pressure bar	Heating capacity kW
1115-0-01-11	0,5	51
1115-0-02-11	1	68
1115-0-04-11	2	99
1115-0-05-11	2,5	114
1115-0-06-11	3	128
1115-0-08-11	4	157
1115-0-10-11	5	186
1115-0-16-11	6	213
1115-0-17-11	7	241
1115-0-18-11	8	268
1115-0-19-11	9	296
1115-0-20-11	10	321

PUCO

PenTec bv
Edisonweg 7
3442 AC Woerden
The Netherlands

Tel. +31 (0)182 503 100
E-mail info@pentecbv.nl
Internet www.duco.nl
www.pentecbv.nl