

# Safety Valves DN20



**PUCO**

# Safety Valves DN20 3/4 x 3/4" K

Duco safety valves to protect closed heated and chilled water systems against excessive pressure.

## Application

The safety valve has to be used in a closed heating or cooling system (**glycol max. 50%**).

Only use the Duco valve in a dry and frostfree location

Min / max. system temp.: -10°C / +120°C

## Safety

Check whether the max. capacity and the opening pressure that are indicated on the valve match the values of the system.

All Duco safety valves meet the requirements of the Pressure Equipment Directive (PED)

**"Directive 2014/68/EU Module B/Module D"**

The quality system also complies with the **NEN-EN-ISO 9001**

NORM: **NEN-EN-ISO 4126-1**

Control knob - ABS (black)

Adjustment screw - PA 6 - 15% GF

Spring seat - PBT 420 1001

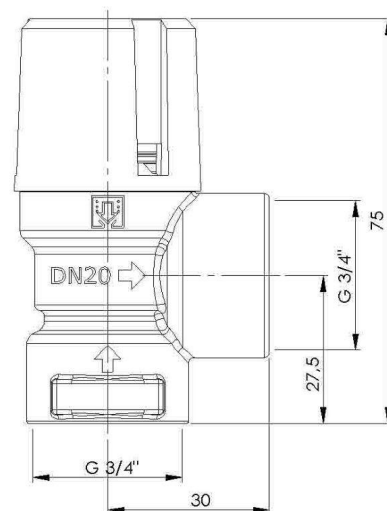
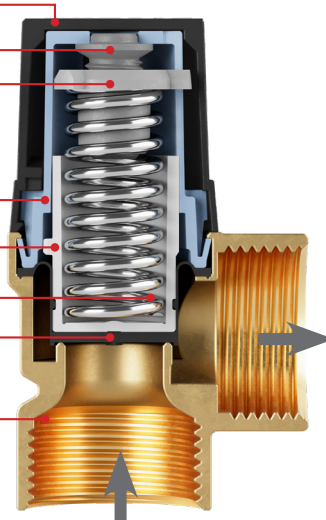
Spring cover - PA 6,6 - 30%GF

Valve disk - PA 6 - 30%GF

Preset spring - Spring steel (galvanised)

Membrane - EPDM Shore Peroxide cured

Valve body - Brass (CW617N) Pb<2,2%



## Safety Valves DN20

Article number	Set pressure bar	Heating capacity kW
1100-0-01-11	0,5	51
1100-0-02-11	1	68
1100-0-04-11	2	99
1100-0-05-11	2,5	114
1100-0-06-11	3	128
1100-0-08-11	4	157
1100-0-10-11	5	186
1100-0-16-11	6	213
1100-0-17-11	7	241
1100-0-18-11	8	268
1100-0-19-11	9	296
1100-0-20-11	10	321

# PUCO

PenTec bv  
Edisonweg 7  
3442 AC Woerden  
The Netherlands

Tel. +31 (0)182 503 100  
E-mail info@pentecbv.nl  
Internet www.duco.nl  
www.pentecbv.nl